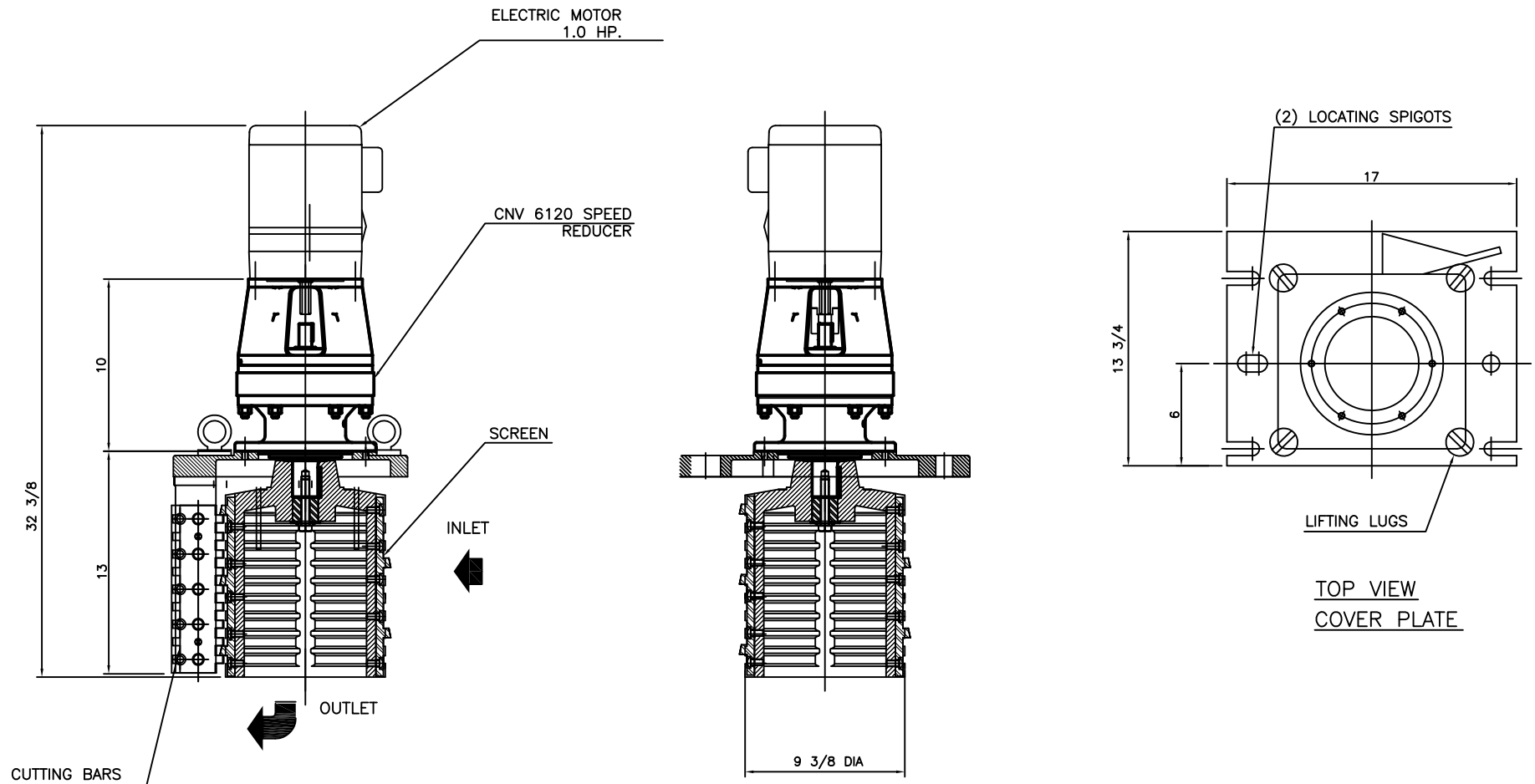



MODEL 10 T/S

SERIAL No. -



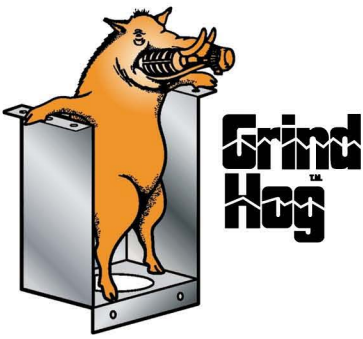
MATERIALS OF CONSTRUCTION & GENERAL ENGINEERING DATA

HOUSING:	GREY IRON	CAPACITY	1.2 MGD (US) / 4500 m3/day	INLET AREA	97 SQ IN	626 cm sq							
DRUM (SCREEN):	DUCTILE IRON (ASTM 536 GRADE 60-45-18)	DRUM SPEED	50 RPM	OUTLET AREA	45 SQ IN	290 cm sq							
SHEAR BARS:	AISI-A2 HIGH ALLOY TOOL STEEL	ROTATION	CLOCKWISE	DRUM DIAMETER	9.4 IN	23.9 cm							
CUTTING BARS:	AISI-01 TOOL STEEL REVERSIBLE	SLOT WIDTH	.470 IN / 12 mm	WEIGHT	400 LB	181 kg							
HARDWARE & FASTENERS:	304 STAINLESS STEEL	No. OF SLOTS	36										
MOTOR MANUFACTURER:		POWER:	- / 3 / 60	RPM:	1750	REDUCER:	SM - CYCLO	MODEL:	V6120				
STYLE:	TEFC	HP:	1.0	KW:	0.746	FRAME:	56C	FLANGE:	'C'	RATIO:	35:1	RATING:	4.27 HP



G.E.T. INDUSTRIES INC.
get@grindhog.com
www.grindhog.com
 1 (877) 213-7418

TOLERANCES	INFO	SCALE
DECIMAL		NTS
FRACTIONAL		DRAWN BY
ANGULAR		G.P.
DATE	APPROVED BY	W.D.M.
FILE NO.	DWG. No.	REV.
	6 0193.1	



HORIZONTAL FLOW

RETROFIT ALTERNATIVE

“TOILET SEAT BOX STYLE” DROP IN REPLACEMENT

PROJECT: _____

ANTICIPATED PEAK FLOW: _____

EXISTING CHANNEL:

Width (w): _____

Depth (d): _____

Underdrain Clearance (c): _____

MOTOR REQUIREMENTS:

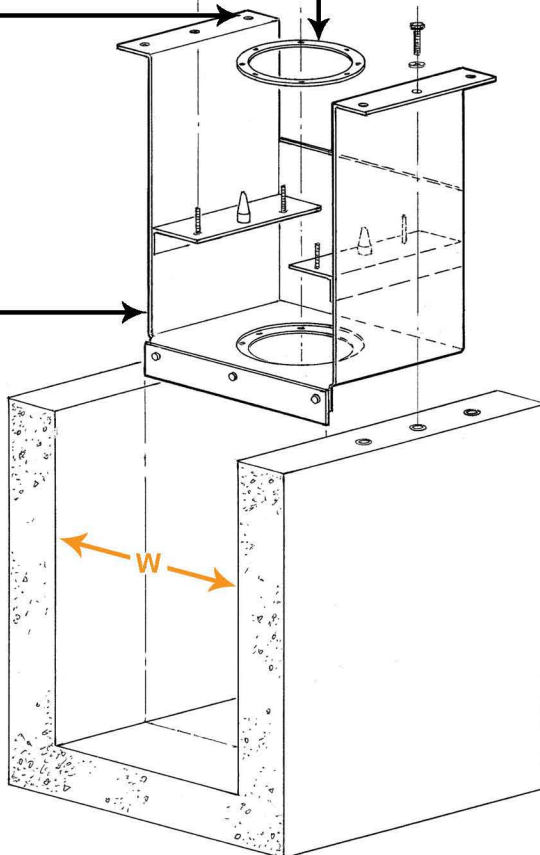
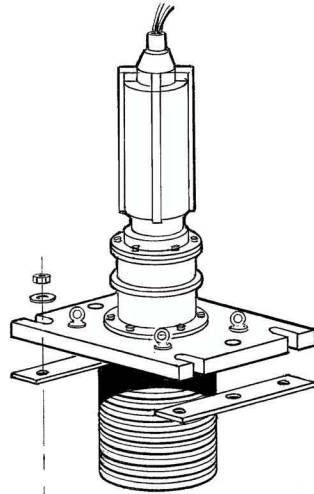
Power: _____ / _____ / _____

Enclosure: _____

Replaceable wear ring for extended life

Supported from above on the channel walls, eliminating the requirement for any submerged anchorage

Fabricated from 304 Stainless Steel to suit existing channel dimensions



REPLACING

Barminutor

Infilco Degremont

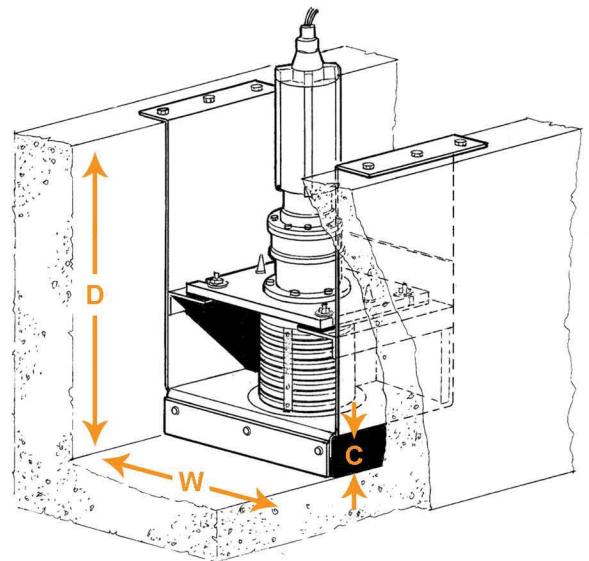
Clow Aer-O-Flo

Muffin Monster

Franklin Miller-Diminutor

Worthington

.....Among others



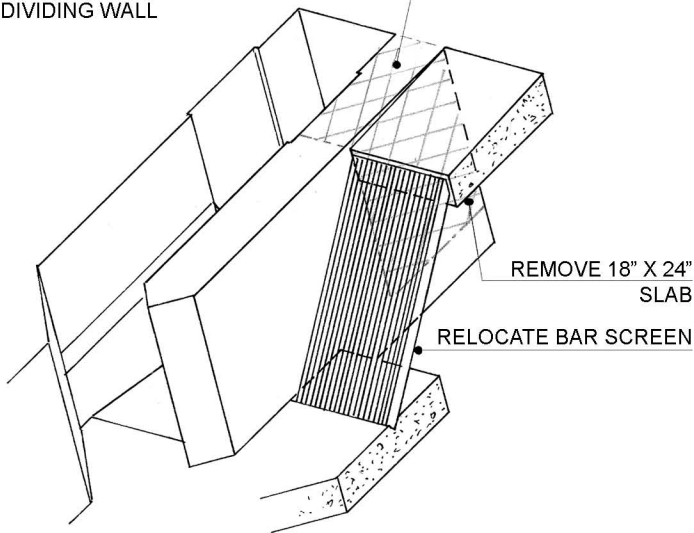
HORIZONTAL FLOW



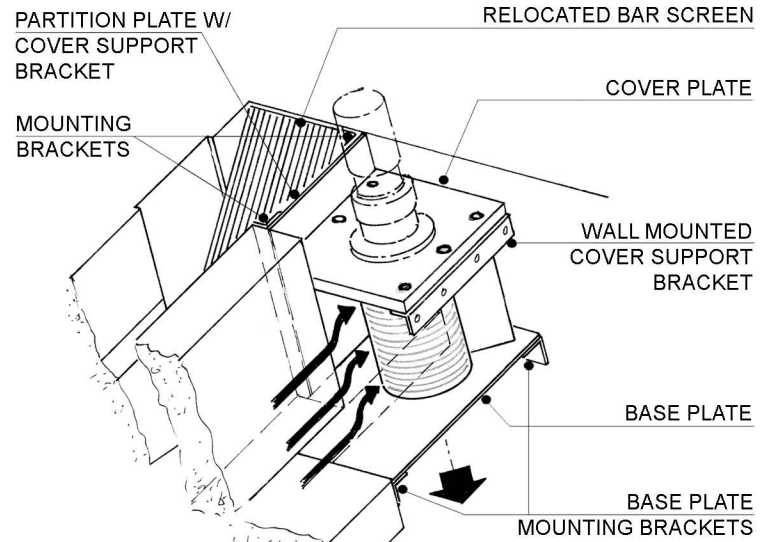
Customized to suit each application

ORIGINAL CHANNEL

REMOVE 24" SECTION OF DIVIDING WALL



PROPOSED CHANGES



Original
Worthington 15-5



Custom Fabricated
Basin



16 ASX T/S



Custom Fabricated Basin
& 16ASX T/S
Ready for Shipment

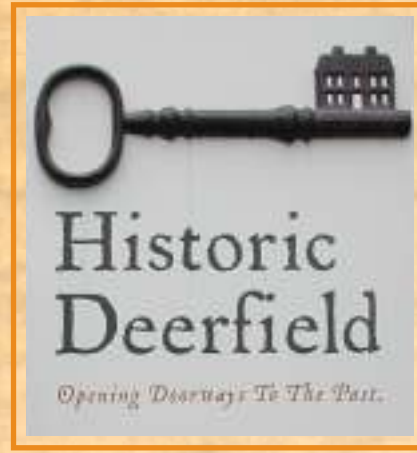
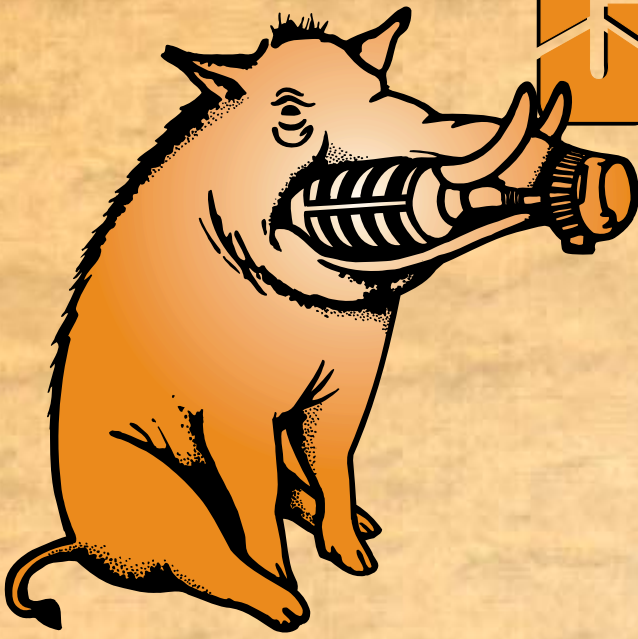
G.E.T. INDUSTRIES INC.

Toll free: (877) 213-7418

Email: get@grindhog.com

Web: www.grindhog.com

Grind HogTM



RETROFIT

Worthington Model 12C4



GRIND HOG 10 T/S

**Existing Worthington Model 12C4
removed and Grind Hog 10 T/S
installed within one day**



Worthington Model 12C4



GRIND HOG MODEL 10 T/S



Grind Hog^{T.M.}



**KRAFT FOODS
NABISCO BAKERY**

Richmond, VA

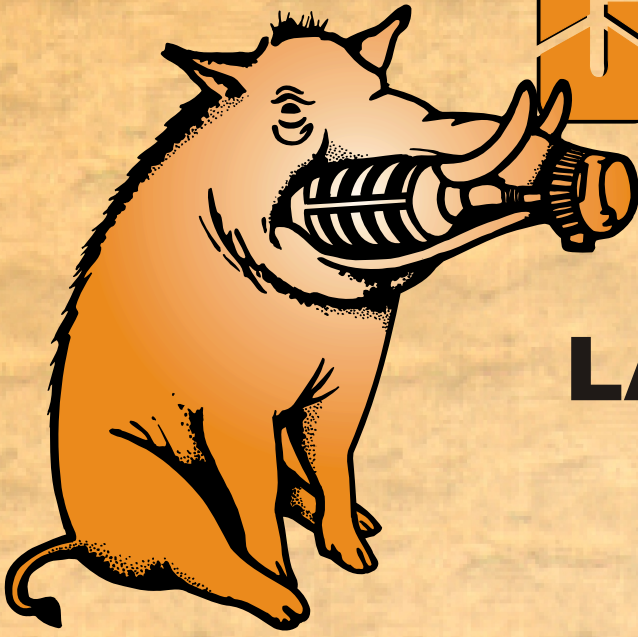
GRIND HOGTM 10 T/S

Retrofitting
Model 12C-3



G.E.T. Industries Inc.

Toll Free: (877) 213-7418 ♦ E-mail: get@grindhog.com ♦ Web: www.grindhog.com



Grind Hog ^{T.M.}

VILLAGE OF LAFAYETTE, OHIO

GRIND HOG™ 10 T/S

Fully installed replacing a Griductor Model 10



G.E.T. INDUSTRIES INC.

Toll Free: (877) 213-7418

E-mail: get@grindhog.com ♦ Web: www.grindhog.com



**Grind
Hog™**

Village of New Bremen, OH

Grind Hog™ 10 T/S (MC)

Retrofit of:
Worthington 12L-5N



Existing Basin

Previously Installed Worthington 12L-5N



G.E.T. INDUSTRIES INC.

Toll Free: (877) 213-7418 E-mail: get@grindhog.com Web: www.grindhog.com